



180 Lafayette Road
 North Hampton, NH 03862-2448
 PH: 603-964-3165
 FX: 603-964-3168
 WWW.PDEELECTRONICS.COM

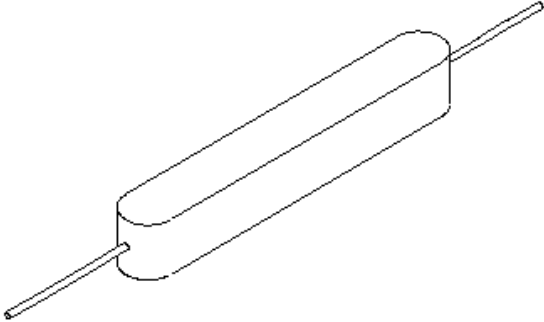
Rectifier Assembly

Standard Recovery High Voltage

SDA Series

- QUICK REFERENCE DATA**
- $V_R = 5000 - 25000$ VOLTS
 - $I_F = 0.5$ AMP
 - $I_R = 1 \mu$ AMP
 - $I_{FSM} = 50$ AMPS

- FEATURES**
- High Voltage
 - High Density
 - Standard Recovery
 - Low Reverse Leakage Current
 - Low Forward Voltage Drop
 - High Thermal Shock Resistance
 - Corona Free Construction
 - Low Distributed Capacitance



ABSOLUTE MAXIMUM RATINGS

Device Type	Peak Inverse Voltage PIV	Average DC Output Current $I_{F(AV)}$		1 Cycle Surge Current I_{FSM} $t_p = 8.3mS$
		TC @55°C	TC @100°C	TA @25°C
	Volts	Amps	Amps	Amps
SDA5000	5000	0.50	0.33	50
SDA7500	7500	0.50	0.33	50
SDA10000	10000	0.50	0.33	50
SDA12500	12500	0.50	0.33	50
SDA15000	15000	0.50	0.33	50
SDA20000	20000	0.50	0.33	50
SDA25000	25000	0.50	0.33	50

TEMPERATURE RATINGS

Operating Temperature Range.....	-55°C to +150°C
Storage Temperature Range.....	-55°C to +150°C



180 Lafayette Road
 North Hampton, NH 03862-2448
 PH: 603-964-3165
 FX: 603-964-3168
 WWW.PDEELECTRONICS.COM

Rectifier Assembly

Standard Recovery High Voltage

SDA Series

ELECTRICAL CHARACTERISTICS

Device Type	Maximum Reverse Leakage Current $I_R @ PIV$		Maximum Forward Voltages $V_F @ I_F$ @25°C		Reverse Recovery Time*
	@25°C	@100°C	Volts	Amps	TA @25°C
	µA	µA			µSec
SDA5000	1.0	50	5.0	0.50	5.0
SDA7500	1.0	50	7.5	0.50	5.0
SDA10000	1.0	50	10	0.50	5.0
SDA12500	1.0	50	12.5	0.50	5.0
SDA15000	1.0	50	15	0.50	5.0
SDA20000	1.0	50	20	0.50	5.0
SDA25000	1.0	50	25	0.50	5.0

*Measured in discrete devices prior to assembly. $I_F=0.5A$, $I_R=1A$, $I_{RR}=0.25A$

MECHANICAL CHARACTERISTICS

